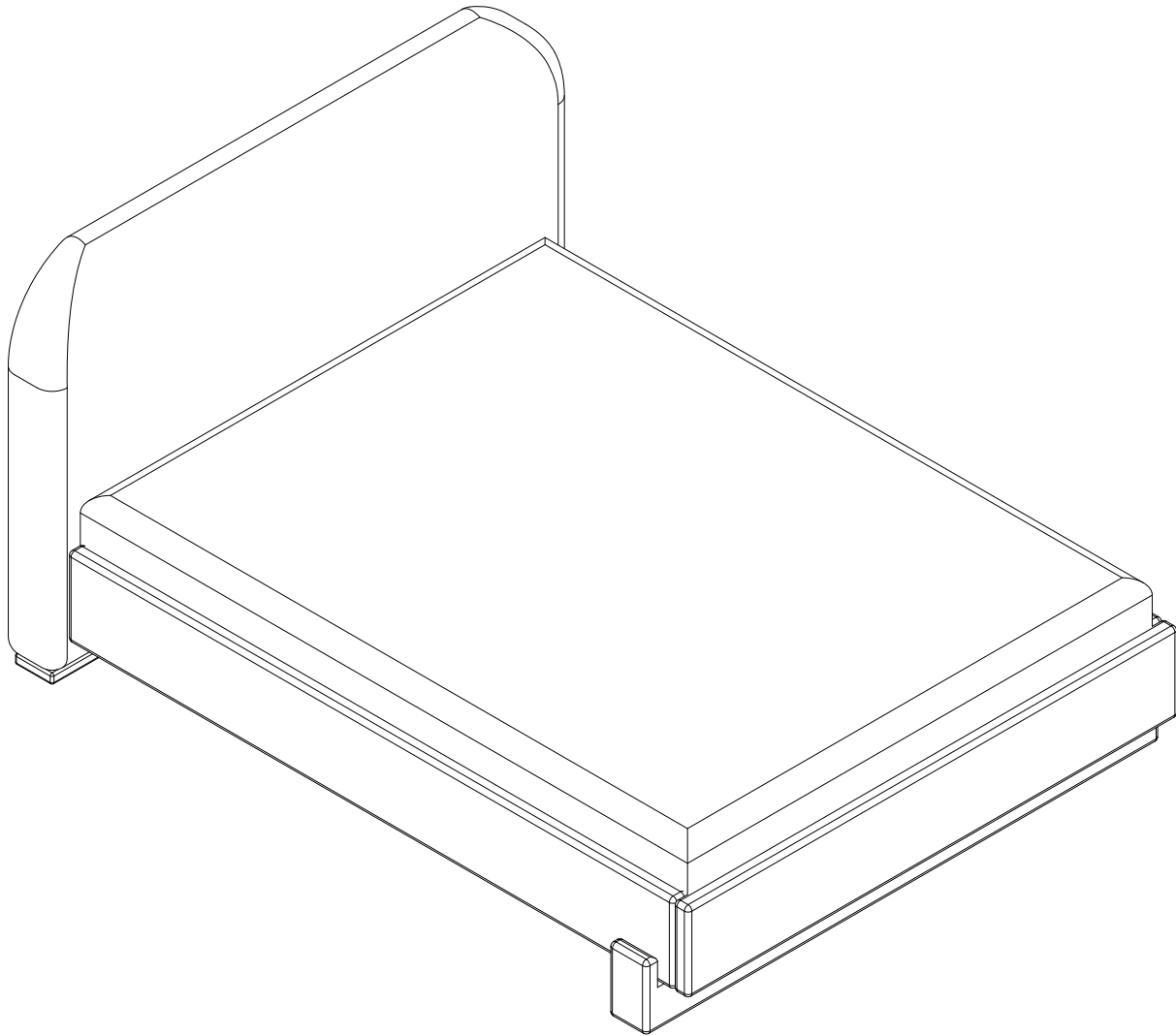


Monterey Bed

Assembly Instructions



PARTS LIST

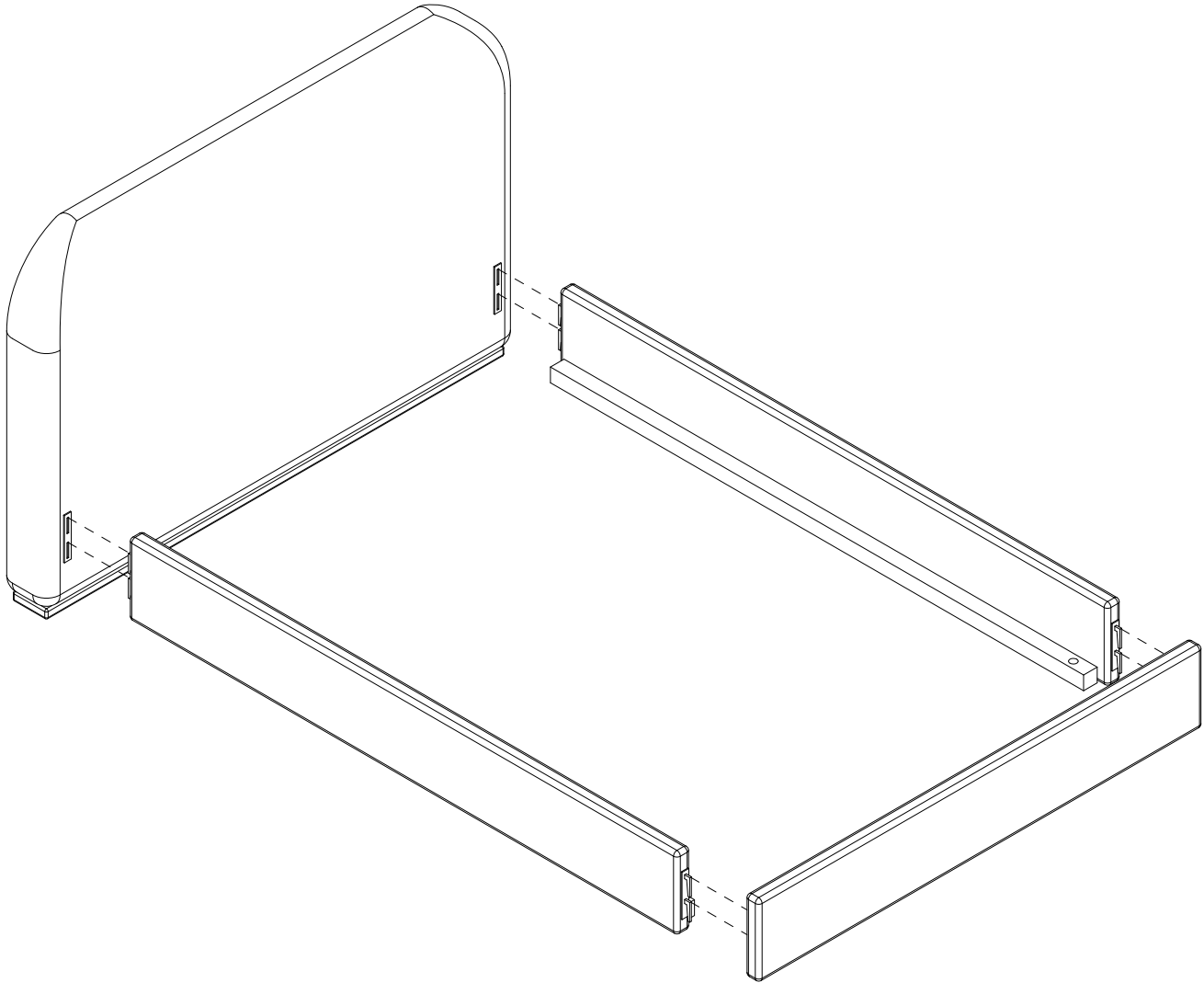
HEADBOARD	x1
FOOTBOARD	x1
BASE	x1
SIDE RAILS	x2
PLATFORM	x2

lawson-fenning

www.lawsonfenning.com
info@lawsonfenning.com

Monterey Bed

Assembly Instructions



STEP 1

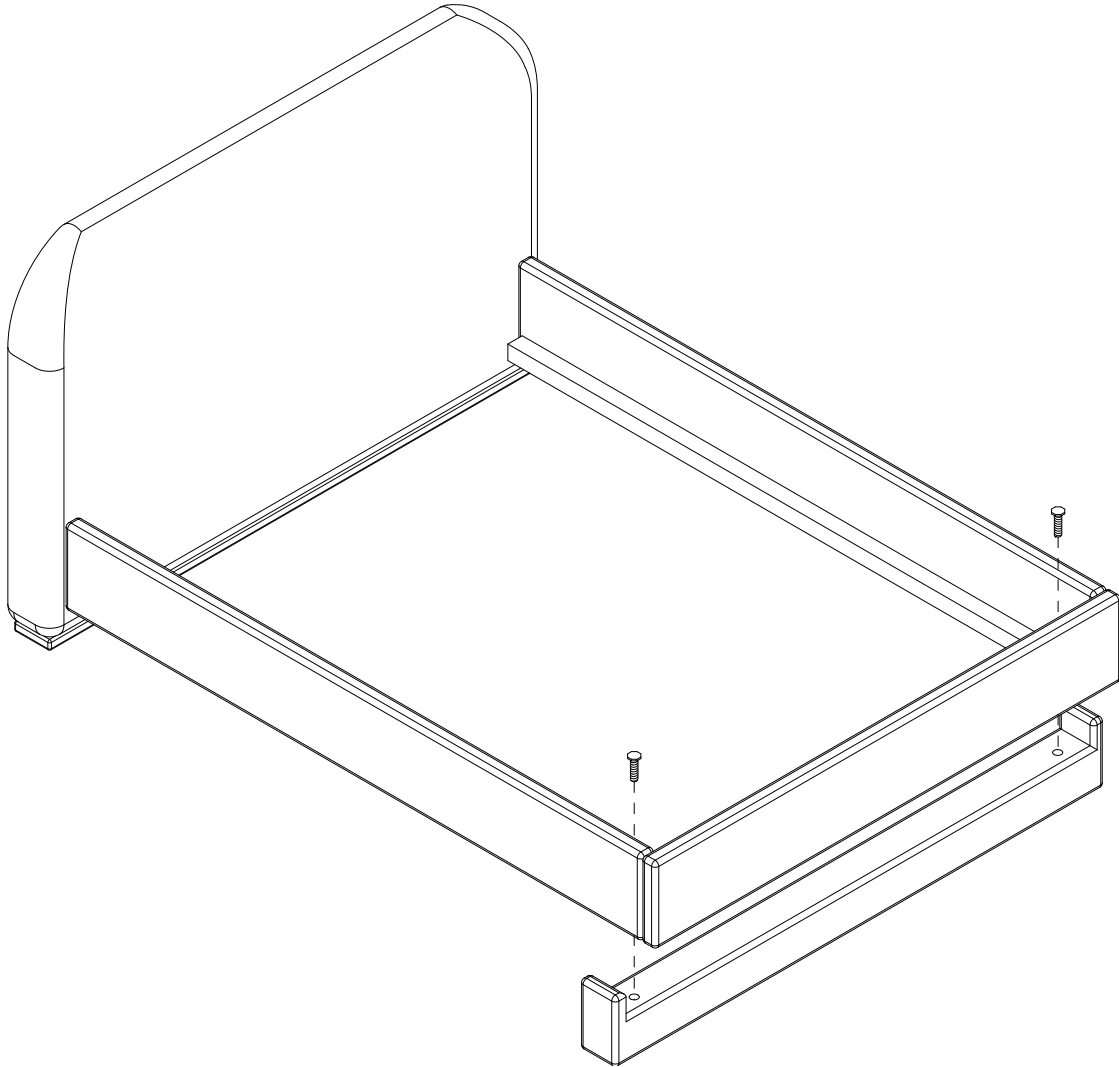
- FIT SIDE RAILS TO THE HEADBOARD
- FIT SIDE RAILS TO FOOTBOARD PRESS DOWN TO ASSURE A TIGHT FIT
- NOTE: A NON-MARRING RUBBER MALLET MAY BE USED

lawson-fenning

www.lawsonfenning.com
info@lawsonfenning.com

Monterey Bed

Assembly Instructions



STEP 2

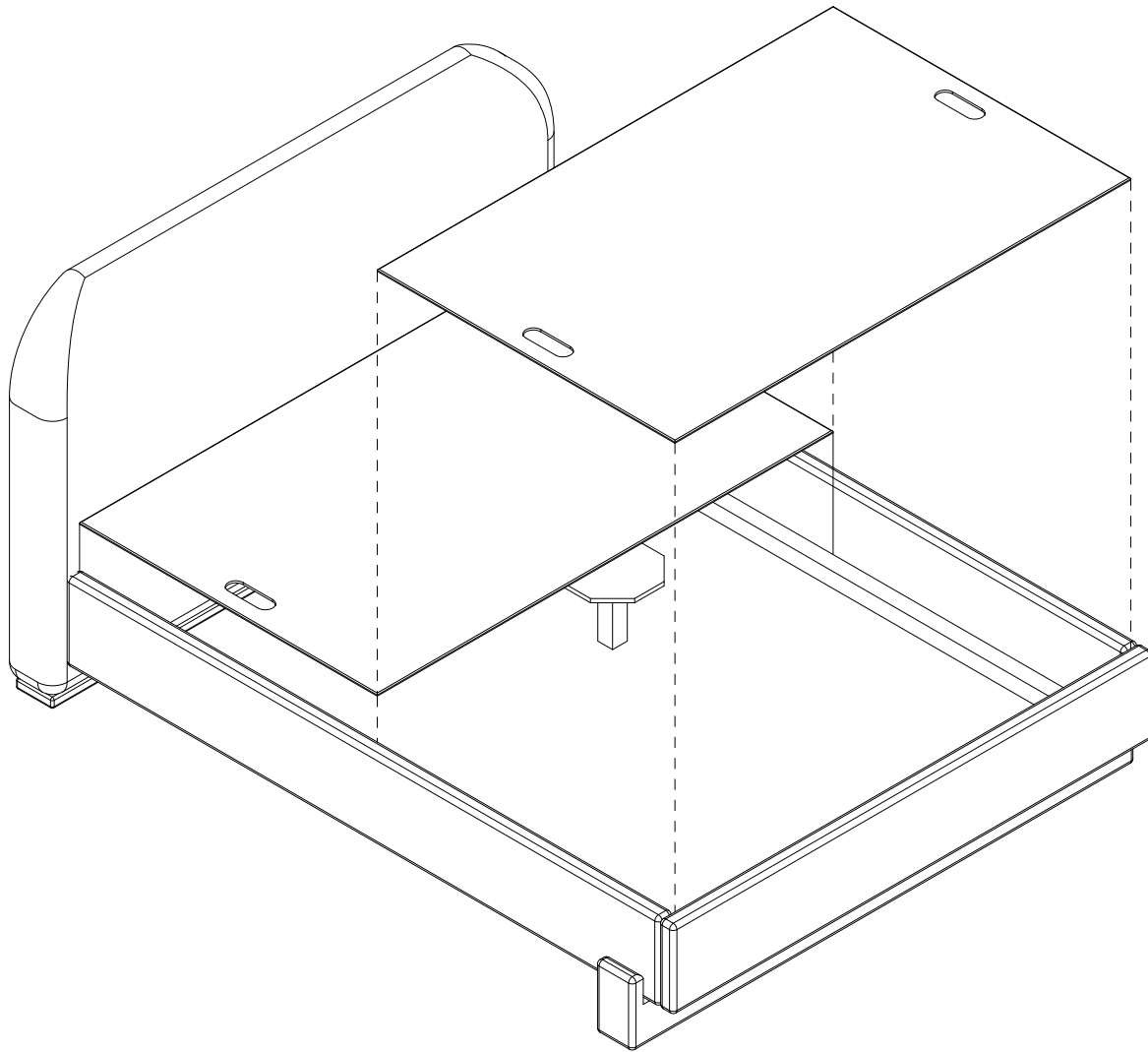
- BOLT THE BASE THROUGH THE PRE-DRILLED HOLES AND SECURE TIGHTLY.

lawson-fenning

www.lawsonfenning.com
info@lawsonfenning.com

Monterey Bed

Assembly Instructions



STEP 3

- FIRST DROP PLATFORM WITH VERTICAL SUPPORT
- DROP IN SECOND PLATFORM

lawson-fenning

www.lawsonfenning.com
info@lawsonfenning.com