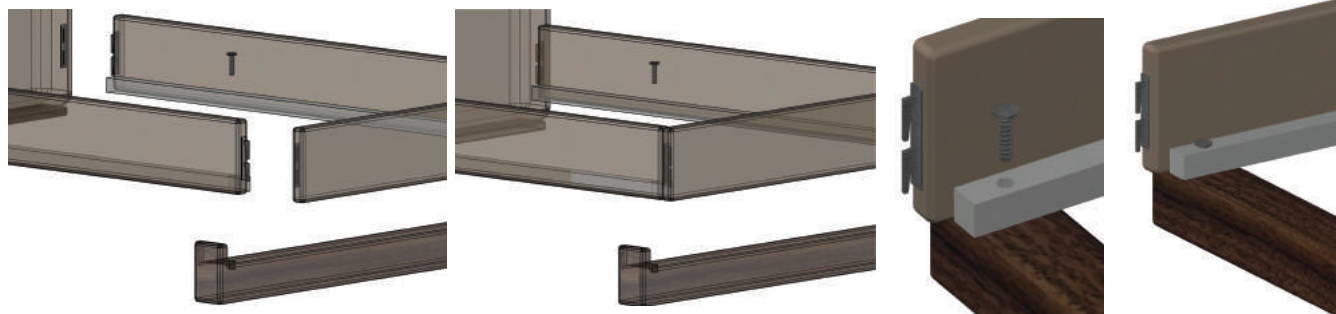
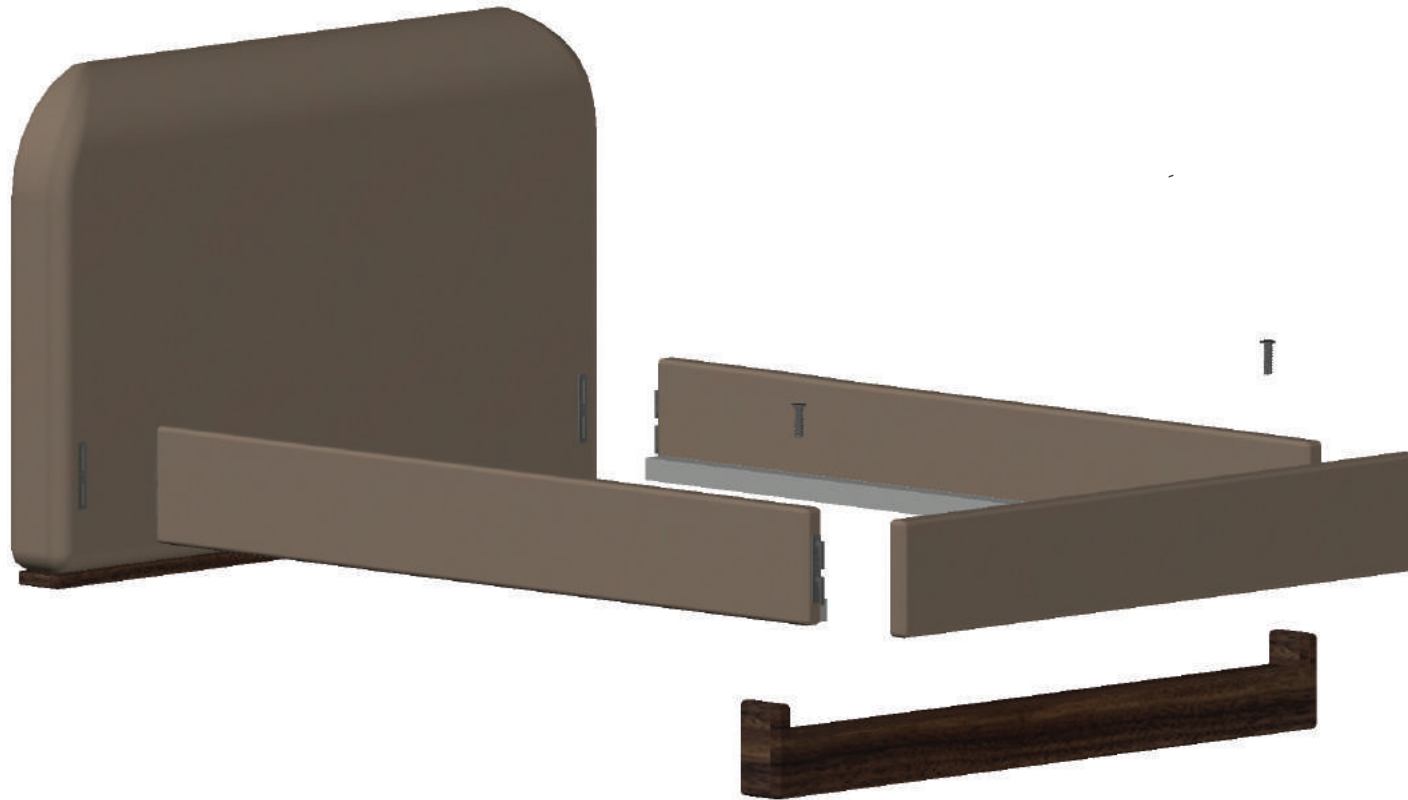


PARTS LIST

HEADBOARD-	1
FOOTBOARD-	1
BASE	1
SIDE RAILS	2
PLATFORM	2

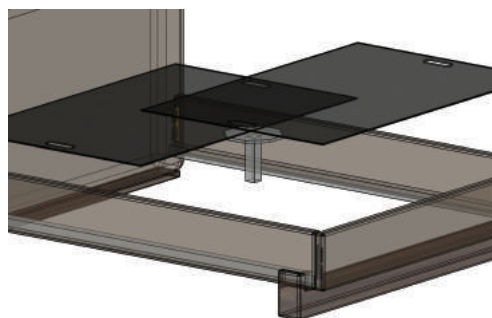
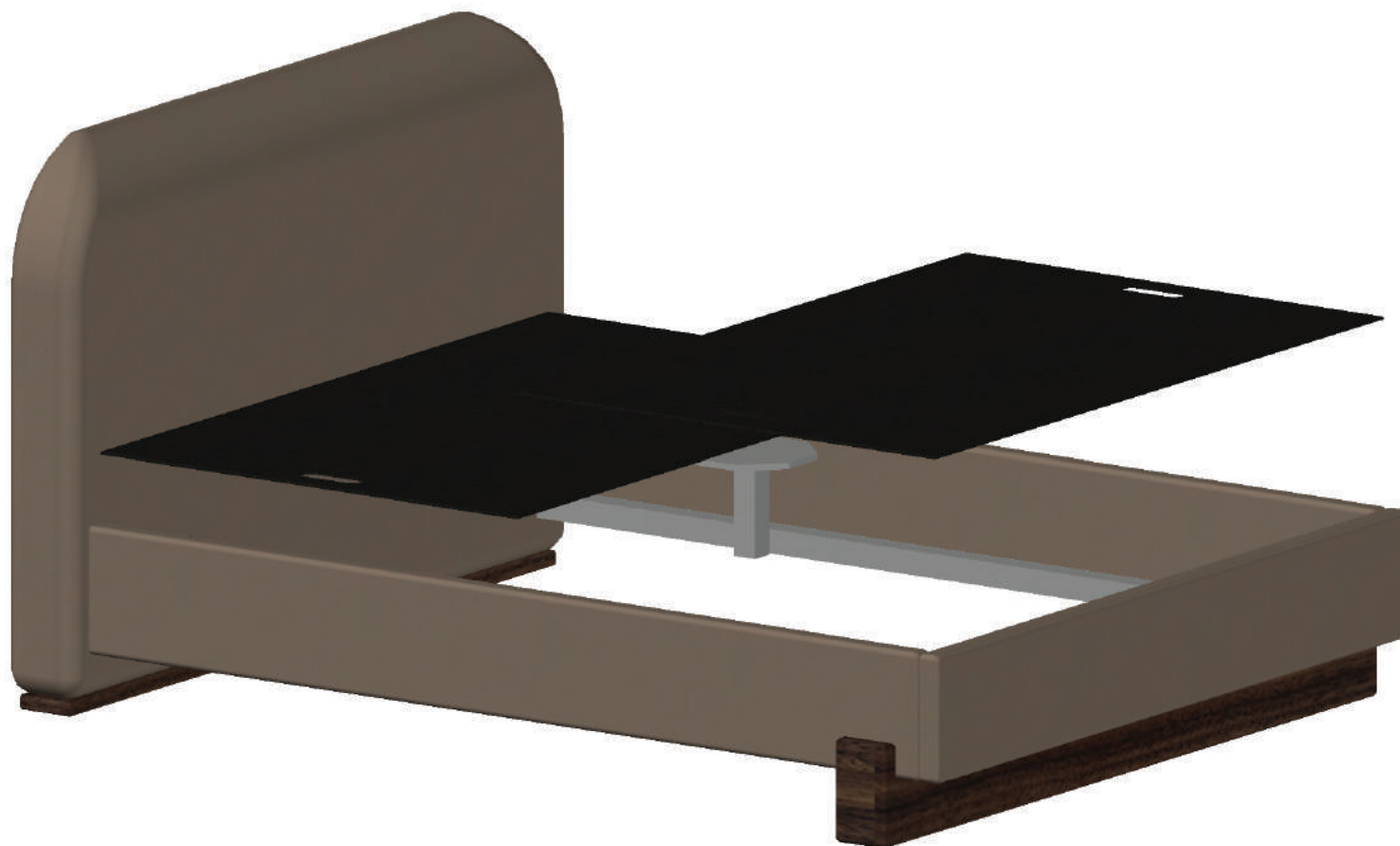
Made
in
LA



STEP 1:

- FIT SIDE RAILS TO THE HEADBOARD
- FIT SIDE RAILS TO FOOTBOARD
- PRESS DOWN TO ASSURE A TIGHT FIT
- NOTE: A NON-MARRING RUBBER Mallet MAY BE USED
- BOLT THE BASE THROUGH THE PREDRILLED HOLES AND SECURE TIGHTLY.

Made
in
LA



STEP 3:

- FIRST DROP THE PLATFORM WITH THE VERTICAL SUPPORT DOWN
- DROP IN SECOND PLATFORM

Made
in
LA