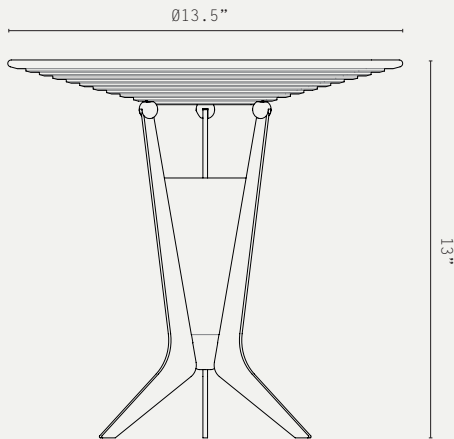


ARAGON TABLE LIGHT (US WIRED)



LIGHT SOURCE:

GU10 LAMP BASE (4W MAX)

LAMP SUPPLIED:

1 X GU10 LED / 3000K / 4W /
250 LUMENS

VOLTAGE:

120V AC

CERTIFICATIONS:

UL (ON REQUEST)

MATERIALS:

BRASS, ALABASTER STONE

WEIGHT:

8.5 LB (APPROX)

FLEX:

7' COTTON BRAIDED FLEX WITH
INLINE ON/OFF SWITCH

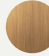
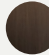
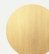
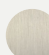
OPTIONS & ACCESSORIES:

- DESK FIXING
- INLINE DIMMER SWITCH

ADDITIONAL INFO:

DESIGNED BY WILL EARL 2020
MADE IN ENGLAND

METAL FINISHES:

-  ANTIQUE BRASS
-  BRONZE
-  SATIN BRASS
-  SATIN NICKEL

PRODUCT CODES:

U.ARA.T.AB.WA - ANTIQUE BRASS / ALABASTER STONE
U.ARA.T.BZ.WA - BRONZE / ALABASTER STONE
U.ARA.T.SB.WA - SATIN BRASS / ALABASTER STONE
U.ARA.T.SN.WA - SATIN NICKEL / ALABASTER STONE

U.ARA.T.AB.WA.EU - ANTIQUE BRASS / ALABASTER STONE / EU PLUG
U.ARA.T.BZ.WA.EU - BRONZE / ALABASTER STONE / EU PLUG
U.ARA.T.SB.WA.EU - SATIN BRASS / ALABASTER STONE / EU PLUG
U.ARA.T.SN.WA.EU - SATIN NICKEL / ALABASTER STONE / PLUG