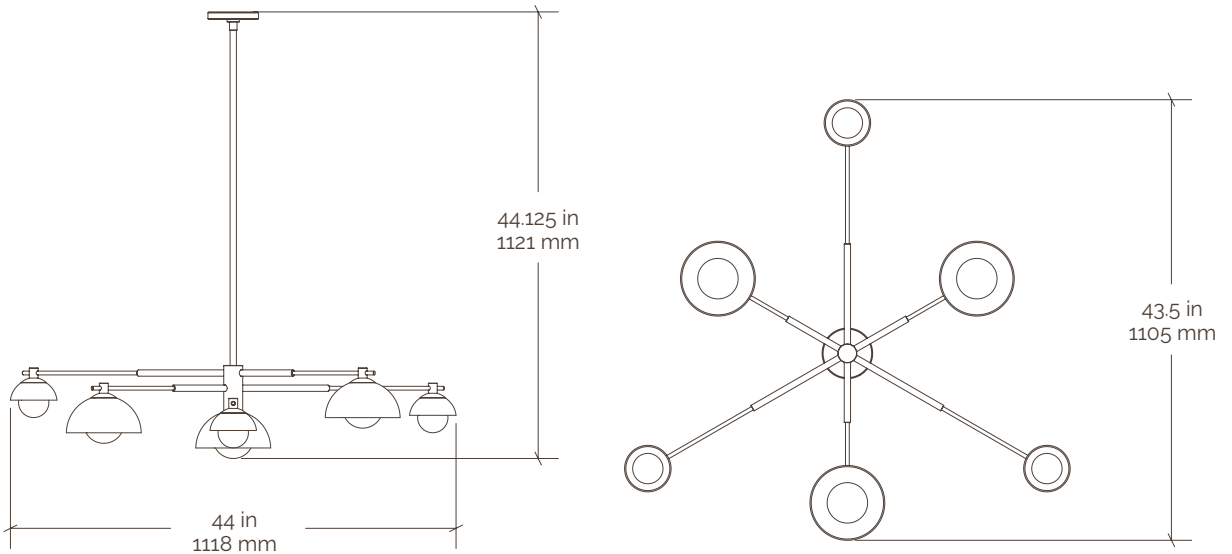




Dixon Six Light Ceiling Fixture

Incandescent



Collection	Dixon	Mounting	4 in octagon box
Number	DIX-CF02	Canopy	5 in / 127 mm
Product	Ceiling Fixture	Certifications	UL listed
Appx. Dimensions	H: 44.125 in / 1121 mm W: 43.5 in / 1105 mm L: 44 in / 1118 mm	Ceramic Reflector	HM04 / Hm07
Weight	24 lbs / 10.9 kgs	Glass Diffuser	SP03 / SP04
Materials	Brass & Terracotta	Lamping	120V / E12 Type T
Finishes	Available in any Pax brass & ceramic finish	Lamping Spec	4.5 w / 450 lm / 3000 k each 6.0 w / 600 lm / 3000 k each
		Dimming	Dimmable with most incandescent and LED dimmers.

Down rod is 33.75in./857mm. Can be cut to length on-site or specified to length. Longer length available.

SKU Key Finish legend available at paxlighting.com/finishes





Specifications

SKU Legend

XX-	XXX-	XXX-	XXXX-	XXX-	Ceramic Finish	XXXX-	X
Fixture Type	Family	Metal Finish	Ceramic	Ceramic Finish	Ceramic Finish Cont.	Diffuser Shape	Diffuser Finish
CF (Ceiling Fixture)	BAN (Bancroft)	BRB (Brushed Brass)	HM04 (4" Diameter Hemisphere)	AZL (Azure Lichen)	DIVL (Double Ivory Lichen)	SP03	W (White)
FM (Flush Mount)	EMM (Emmet)	BRN (Brushed Nickel)	HM07 (7" Diameter Hemisphere)	AZM (Azure Matte)	DVDL (Double Verde Lichen)	SP04	
PD (Pendant)	DIX (Dixon)	DAB (Dark Aged Brass)	HM12 (12" Diameter Hemisphere)	BLL (Black Lichen)	FRM (Forest Matte)	SP05	
SC (Sconce)	LAW (Lawrence)	GRA (Graphite)	CN12 (12" Height Cone)	BLM (Black Matte)	IVL (Ivory Lichen)		
FL (Floor)	ROS (Roseland)	LAB (Light Aged Brass)	LD15 (15" Diameter Low Dome)	CHL (Chocolate Lichen)	IVP (Ivory Porcelain)		
TB (Table)	CRE (Creston)	TXB (Textured Black)	TB04 (4" Short Tube)	CHM (Chocolate Matte)	NVM (Navy Matte)		
		TXI (Textured Ivory)	TB08 (8" Long Tube)	DAZL (Double Azure Lichen)	VDL (Verde Lichen)		
		TXW (Textured White)	AD01 (As Designed)	DBLL (Double Black Lichen)	VDM (Verde Matte)		
				DCHL (Double Chocolate Lichen)			

Incandescent Base Lamp Specs

E12 Type T

Type	E12 Type T
Input Voltage	120
Watts Each	4.5
Lumens Each	450
Color Temperature	3000 K
Life Expectancy	3 yrs, 25,000 hours

Type	E12 Type T
Input Voltage	120
Watts Each	6.0
Lumens Each	600
Color Temperature	3000 K
Life Expectancy	3 yrs, 25,000 hours

Type	E12 Type T
Input Voltage	120
Watts Each	9.5
Lumens Each	950
Color Temperature	3000 K
Life Expectancy	3 yrs, 25,000 hours