



CAUTION:

BEFORE INSTALLING FIXTURE, MAKE SURE THE POWER TO THE CIRCUIT IS TURNED OFF AT THE MAIN FUSE BOX / CIRCUIT BREAKER UTILITY BOX.

Important Safety Instructions:

- These instructions are provided for your safety. It is very important that they are read carefully and completely before beginning the assembly and installation of this lighting fixture.

- **We strongly recommend that a professional electrician install all direct wire fixtures.**

- THIS PRODUCT MUST BE INSTALLED IN ACCORDANCE WITH THE APPLICABLE INSTALLATION CODES BY A PERSON FAMILIAR WITH THE CONSTRUCTION AND OPERATION OF THE PRODUCT AND THE HAZARDS INVOLVED.

- The lighting fixture is meant for indoor use. DAMP or DRY LOCATIONS. It must be connected only to 3-wire, single-phase electrical supply systems (provided with ground wire or equivalent protection system).

- This fixture has been rated for ONE (1) 25-watt maximum TYPE T candelabra base (E-12) incandescent bulbs (not included) or ONE (1) 6.0 -watt TYPE T candelabra base (E-12) LED bulb (included).

To avoid the risk of fire, do not exceed the recommended lamp wattage.

- Save these instructions.

WARNING:

- To reduce the risk of fire, electrical shock, or personal injury, always turn off light fixture and allow it to cool prior to replacing lamp (bulb).

- Do not touch lamp (bulb) when fixture is turned on. Do not look directly at lit lamp (bulb).

- Keep flammable materials away from lit lamp (bulb).



GENERAL NOTES:

- Ceramic and brass collar should be attached AFTER fixture is installed.

STEP ONE:

- Turn off circuit power.
- Prepare j-box.

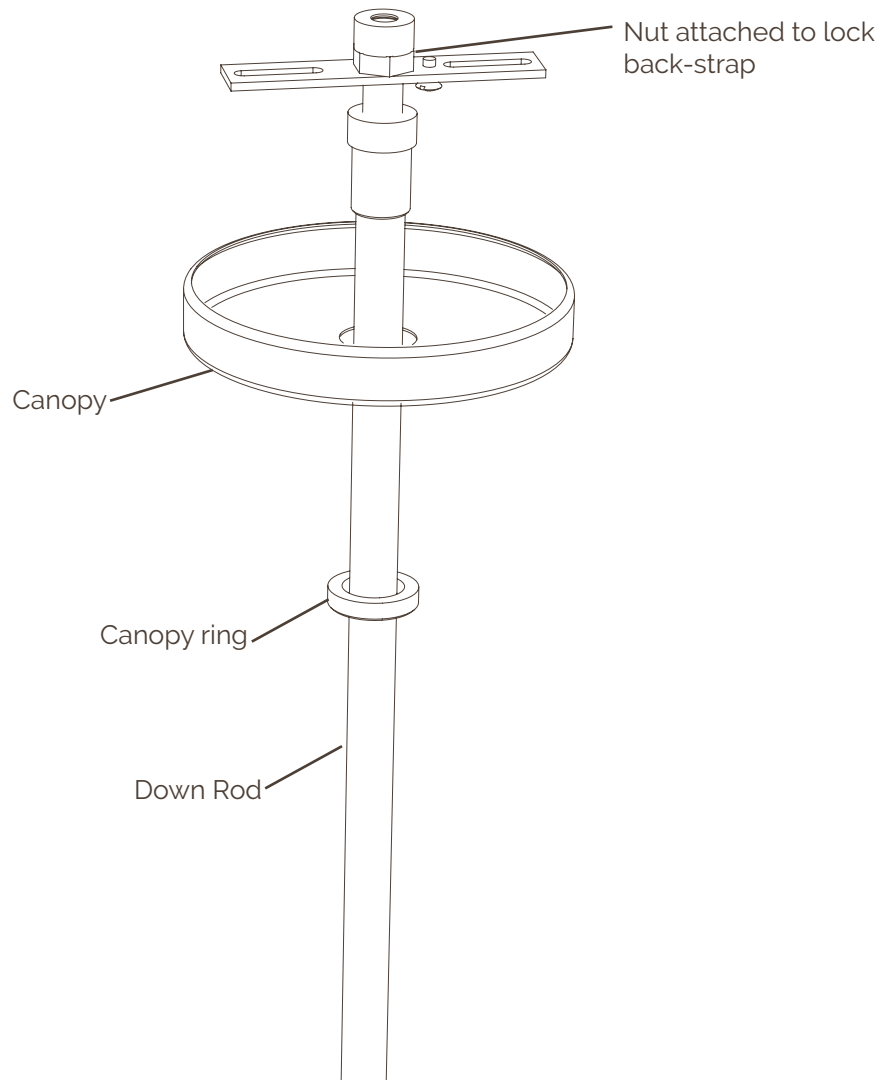
STEP TWO: Prepare fixture for install

- Slip wire from fixture through downrod assembly.
- Thread allthread and fixture together.



STEP THREE:

- With caution, slip canopy ring and canopy down the fixture to rest on center fixture hub.
- Attach back-strap and locking nut to top end of down-rod assembly.





STEP FOUR:

- Connect fixture to j-box.
- Make wire connections. Grounding through the fixture is provided by the back-strap ground screw.

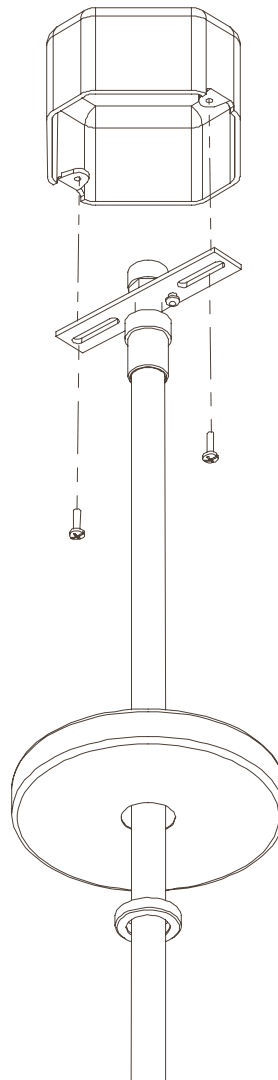
Notes:

SMOOTH OR BLACK WIRE IS HOT WIRE.

Ribbed or white wire is the neutral wire.

DO NOT REVERSE THE HOT AND NEUTRAL CONNECTIONS OR SAFETY WILL BE COMPROMISED.

- Bring canopy up to cover the j-box and secure in place with the canopy ring.





STEP FIVE:

- Install ceramic with threaded brass collar. Brass collar will need to thread past the socket housing to the next threaded holder to secure the ceramic in place. There is a slightly oversized hole in the ceramic to allow for minor adjustments for leveling the bottom edges.
- Install included bulb and glass diffuser.

BE CAREFUL TO NOT OVER TIGHTEN BRASS COLLAR OR CERAMIC WILL CRACK.

