



CAUTION:

BEFORE INSTALLING FIXTURE, MAKE SURE THE POWER TO THE CIRCUIT IS TURNED OFF AT THE MAIN FUSE BOX / CIRCUIT BREAKER UTILITY BOX.

Important Safety Instructions:

• These instructions are provided for your safety. It is very important that they are read carefully and completely before beginning the assembly and installation of this lighting fixture.

• **We strongly recommend that a professional electrician install all direct wire fixtures.**

• THIS PRODUCT MUST BE INSTALLED IN ACCORDANCE WITH THE APPLICABLE INSTALLATION CODES BY A PERSON FAMILIAR WITH THE CONSTRUCTION AND OPERATION OF THE PRODUCT AND THE HAZARDS INVOLVED.

• The lighting fixture is meant for indoor use. DAMP or DRY LOCATIONS. It must be connected only to 3-wire, single-phase electrical supply systems (provided with ground wire or equivalent protection system).

• This fixture has been rated for TWO (2) 25-watt maximum TYPE T candelabra base (E-12) incandescent bulbs (not included) or ONE(1) 4.5 -watt and ONE (1) 6.0-watt TYPE T candelabra base (E-12) LED bulbs (included).

To avoid the risk of fire, do not exceed the recommended lamp wattage.

• Save these instructions.

WARNING:

• To reduce the risk of fire, electrical shock, or personal injury, always turn off light fixture and allow it to cool prior to replacing lamp (bulb).

• Do not touch lamp (bulb) when fixture is turned on. Do not look directly at lit lamp (bulb).

• Keep flammable materials away from lit lamp (bulb).



GENERAL NOTES:

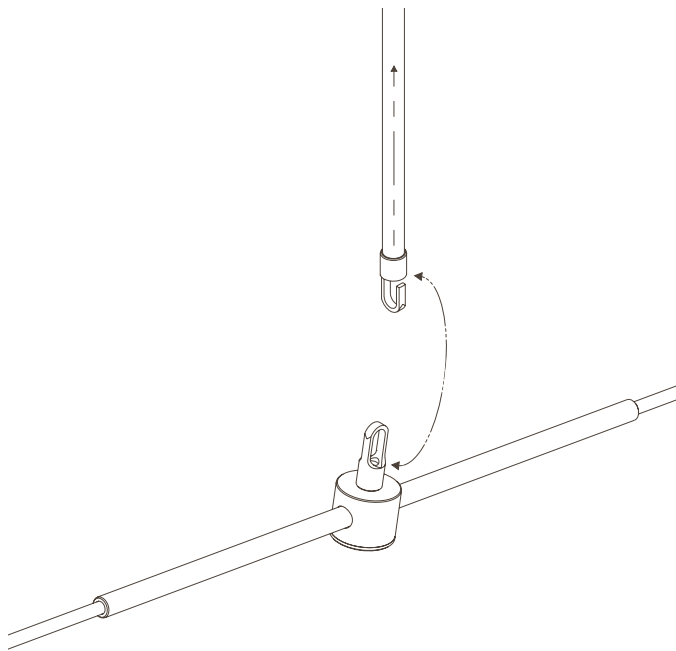
- Ceramic and brass collars should be attached AFTER fixture is installed.

STEP ONE:

- Turn off circuit power.
- Prepare j-box.

STEP TWO: Prepare fixture for install

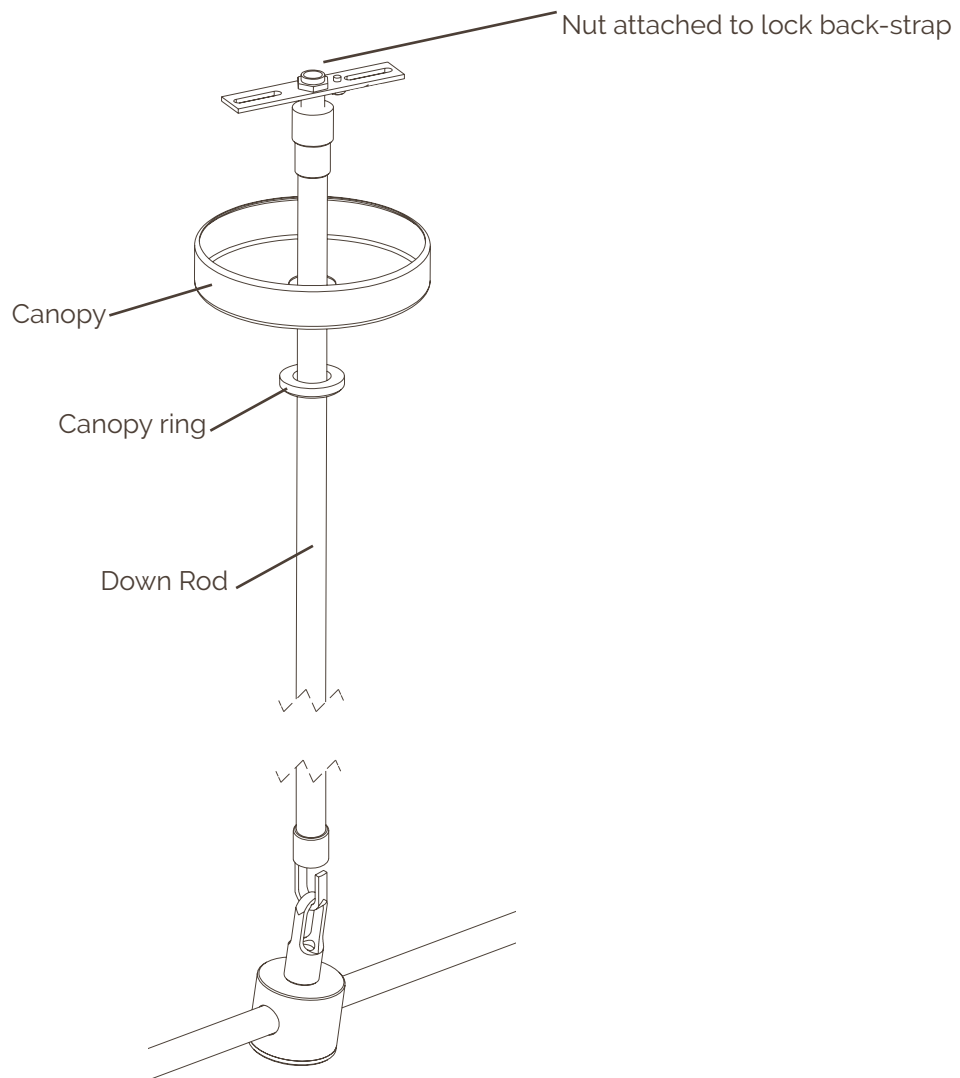
- Slip wire from fixture through downrod assembly.
- Hook fixture and downrod together.
- Take care when hooking the two pieces to avoid scratches.





STEP THREE:

- With caution, slip canopy ring and canopy down the fixture to rest on center fixture hub.
- Attach back-strap and locking nut to top end of down-rod assembly.





STEP FOUR:

- Connect fixture to j-box.
- Make wire connections. Grounding through the fixture is provided by the back-strap ground screw.

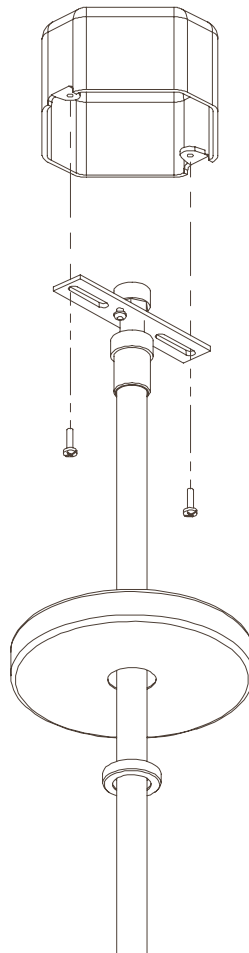
Notes:

SMOOTH OR BLACK WIRE IS HOT WIRE.

Ribbed or white wire is the neutral wire.

DO NOT REVERSE THE HOT AND NEUTRAL CONNECTIONS OR SAFETY WILL BE COMPROMISED.

- Bring canopy up to cover the j-box and secure in place with the canopy ring.





STEP FIVE:

- Install ceramic with threaded brass collars. There is a slightly oversized hole in the ceramic to allow for minor adjustments for leveling the bottom edges.
- Install included bulbs and glass diffusers.

BE CAREFUL TO NOT OVER TIGHTEN BRASS COLLAR OR CERAMIC WILL CRACK.

