

BOSQUE BED FRAME

LIST OF PARTS

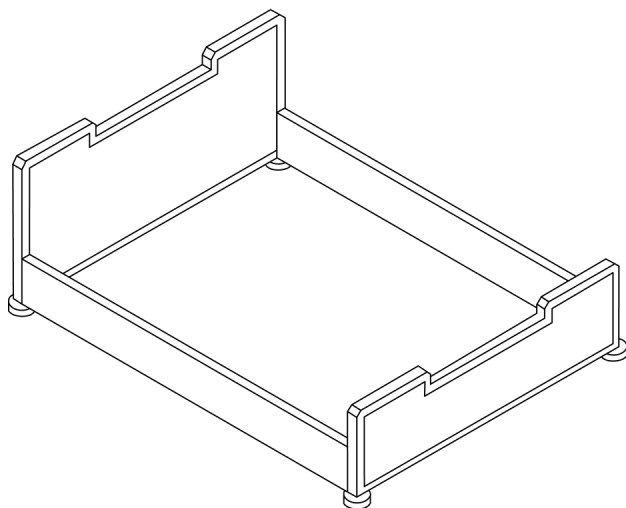
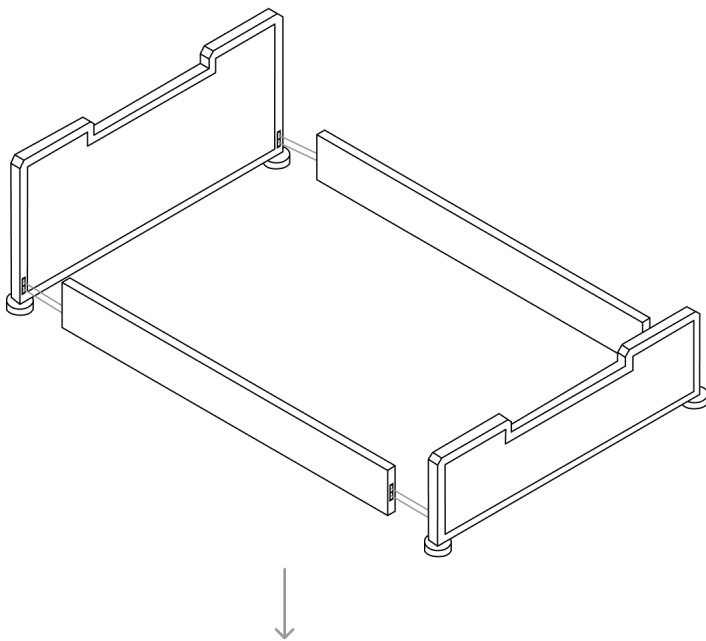
Headboard	x1
Foot board	x1
Side Rails	x2
Platform	x2

TOOLS

Optional - A non-marring rubber mallet may be used

STEP 1

Fit side rails to headboard & footboard, then press down to ensure a tight fit



STEP 2

Drop the platform with the vertical support down first followed by the second platform

